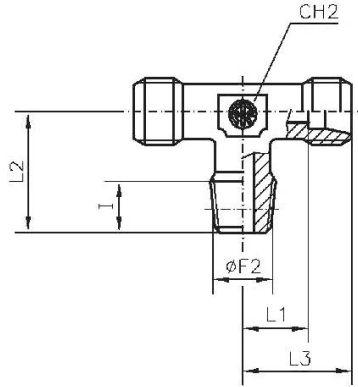
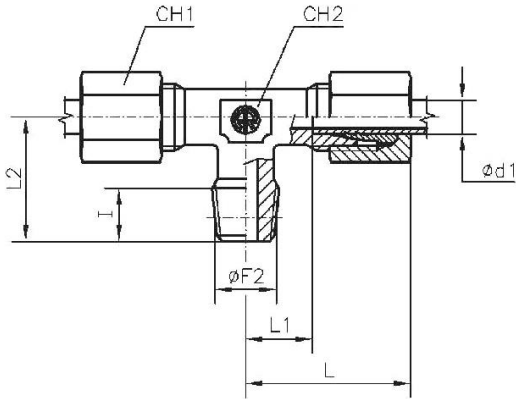


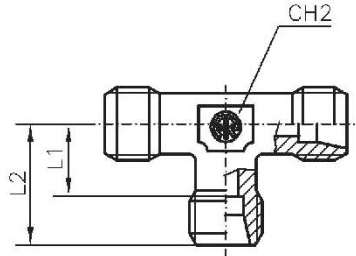
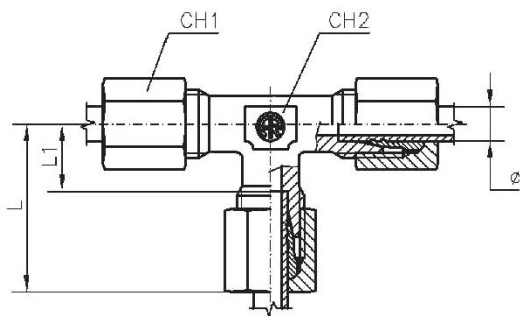
Material galvanised steel (DIN 2353)



TVR148SST

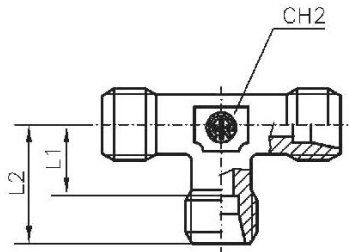
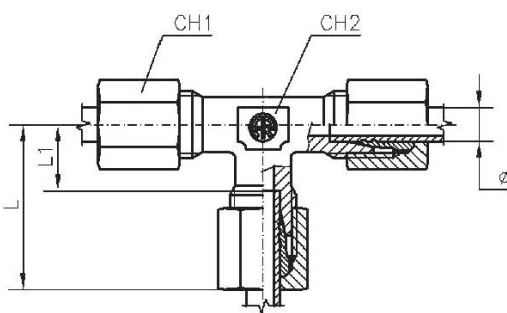
Male branch tee, conical male thread acc. to ISO 7-1, heavy type

Art. No.	Type No.	Thread $\varnothing F2$	Tube O.D. mm	I mm	L mm	L1 mm	L2 mm	L3 mm	CH1 mm	CH2 mm	PN bar
159206	TVR148SST	R 1/4	8	12	32	17.0	27	24	19	14	630
159207	TVR3810SST	R 3/8	10	12	34	17.5	28	25	22	17	630
159208	TVR3812SST	R 3/8	12	12	38	21.5	31	29	24	17	630
159209	TVR1214SST	R 1/2	14	14	40	22.0	32	30	27	19	630
159210	TVR1216SST	R 1/2	16	14	43	24.5	32	33	30	24	400
159211	TVR3420SST	R 3/4	20	16	48	26.5	42	37	36	27	400
159212	TVR125SST	R 1	25	18	54	30.0	48	42	46	36	400



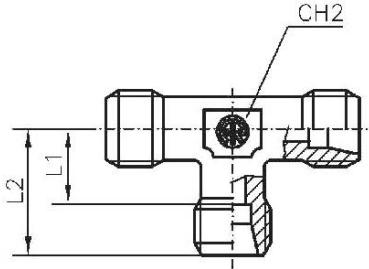
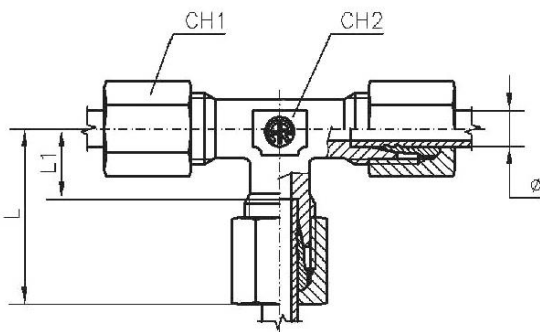
Branch tee, very light type

Art. No.	Type No.	Tube O.D. mm	L mm	L1 mm	L2 mm	CH1 mm	CH2 TV10SLST	PN bar
159213	TV10SLST	10	27	15	20.5	17	14	100
159214	TV12SLST	12	25	13	19.0	19	17	100



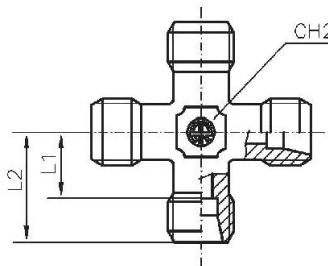
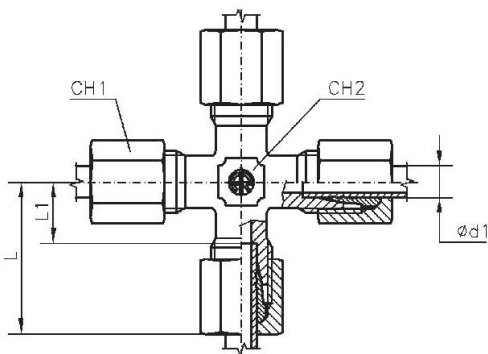
Branch tee, light type

Art. No.	Type No.	Tube O.D. mm	L mm	L1 mm	L2 mm	CH1 mm	CH2 mm	PN bar
159215	TV28LST	28	47	30.5	38	41	36	160



Branch tee, heavy type

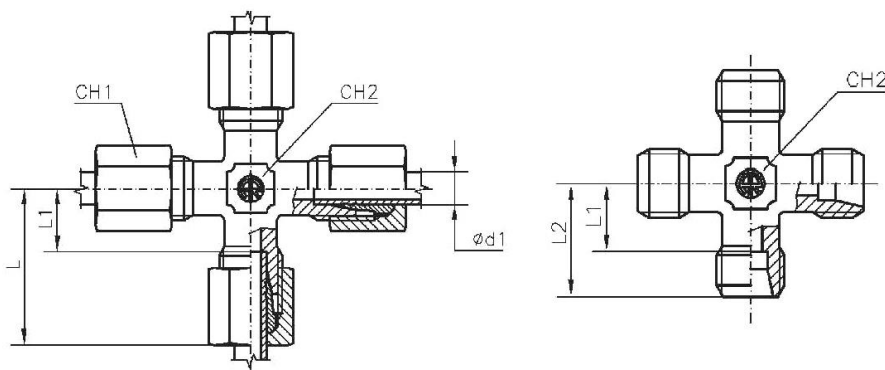
Art. No.	Type No.	Tube O.D. mm	L mm	L1 mm	L2 mm	CH1 mm	TV6SST	PN bar
159216	TV6SST	6	31	16.0	23	17	12	630
159217	TV8SST	8	32	17.0	24	19	14	630
159218	TV10SST	10	34	17.5	25	22	17	630
159219	TV12SST	12	38	21.5	29	24	17	630
159220	TV14SST	14	40	22.0	30	27	19	630
159221	TV16SST	16	43	24.5	33	30	24	400
159222	TV20SST	20	48	26.5	37	36	27	400
159223	TV25SST	25	54	30.0	42	46	36	400



KV4SLST

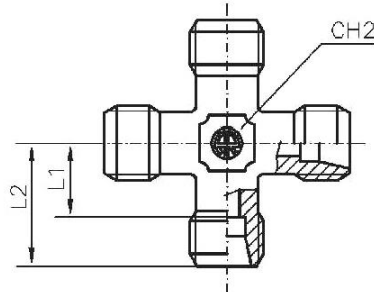
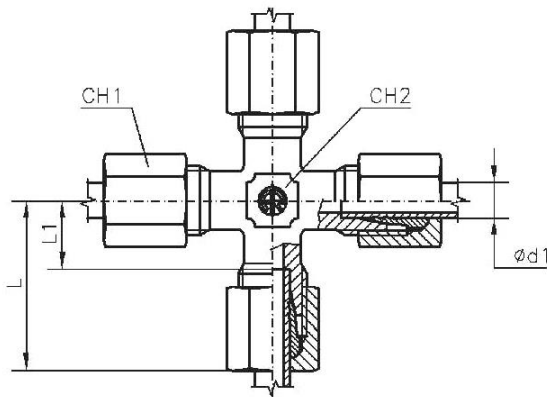
Cross-fitting, very light type

Art. No.	Type No.	Tube O.D. mm	L mm	L1 mm	L2 mm	CH1 mm	CH2 mm	PN bar
159719	KV4SLST	4	21	11.0	15	10	9	100
159720	KV5SLST	5	21	9.5	15	12	9	100
159721	KV6SLST	6	21	9.5	15	12	9	100
159722	KV8SLST	8	23	11.5	17	14	12	100



Cross-fitting, light type

Art. No.	Type No.	Tube O.D. mm	L mm	L1 mm	L2 mm	CH1 mm	CH2 mm	PN bar
159723	KV6LST	6	27	12.0	19	14	12	315
159724	KV8LST	8	29	14.0	21	17	12	315
159725	KV10LST	10	30	15.0	22	19	14	315
159726	KV12LST	12	32	17.0	24	22	17	315
159727	KV15LST	15	36	21.0	28	27	19	315
159728	KV18LST	18	40	23.5	31	32	24	315
159729	KV22LST	22	44	27.5	35	36	27	160
159730	KV28LST	28	47	30.5	38	41	36	160



KV6SST

Cross-fitting, heavy type

Art. No..	Type No.	Tube O.D. mm	L mm	L1 mm	L2 mm	CH1 mm	CH2 mm	PN bar
159731	KV6SST	6	31	16.0	23	17	12	630
159732	KV8SST	8	32	17.0	24	19	14	630
159733	KV10SST	10	34	17.5	25	22	17	630
159734	KV12SST	12	38	21.5	29	24	17	630
159735	KV14SST	14	40	22.0	30	27	19	630
159736	KV16SST	16	43	24.5	33	30	24	400
159737	KV20SST	20	48	26.5	37	36	27	400
159738	KV25SST	25	54	30.0	42	46	36	400